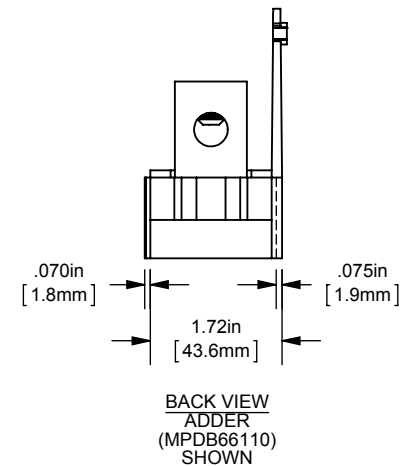
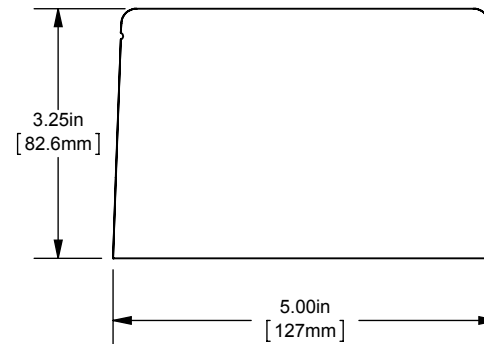
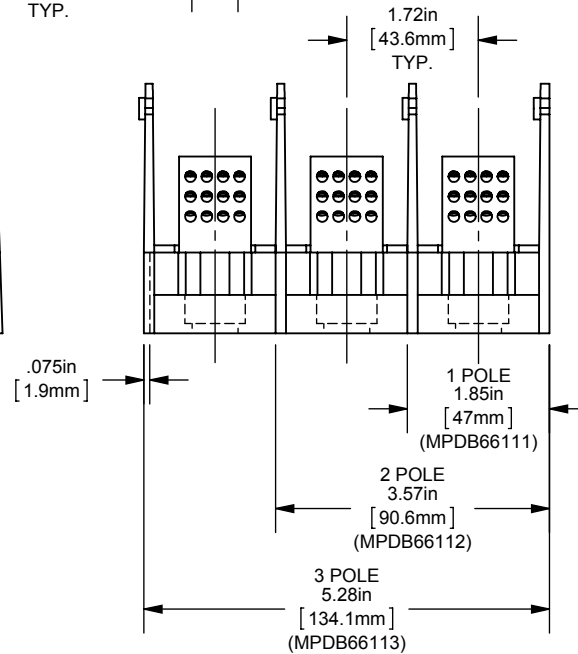
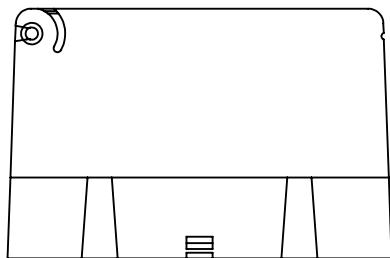
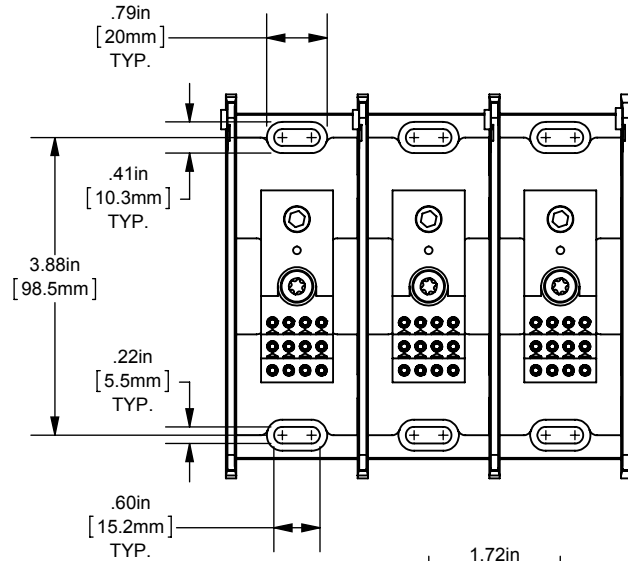


REV.	DATE	ECO	DESCRIPTION	BY	CK	APP
-	8/8/2013	N/A	INITIAL RELEASE	GDR	N/A	N/A



DIMENSIONS IN [ ] ARE MILLIMETERS



MERSEN USA NEWBURYPORT-MA, LLC  
374 MERRIMAC STREET  
NEWBURYPORT, MA 01950

MPDB(66110,66111,66112,66113,)

PDB 1-3P, ADDER COPPER INTERMEDIATE

(1) 2/0-14 X (12) 10-14

OUTLINE DIMENSIONS  
NOT TO BE USED FOR PRODUCTION

701901

PRODUCT MANAGER

SIGN:

DATE:

DESIGN ENGINEER

SIGN:

DATE: (SEE ECO)