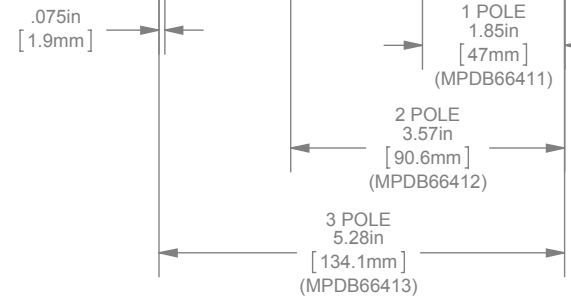
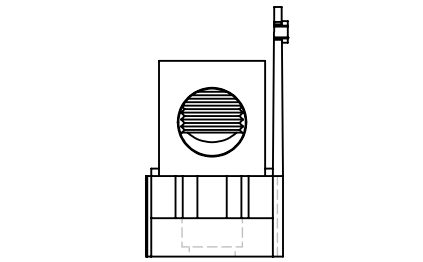
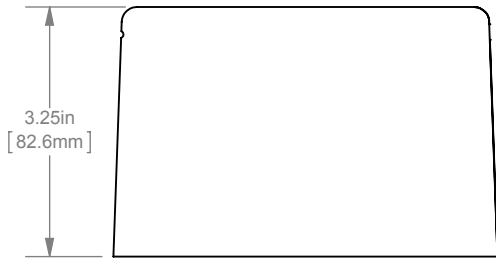
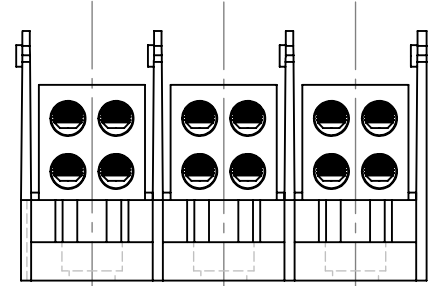
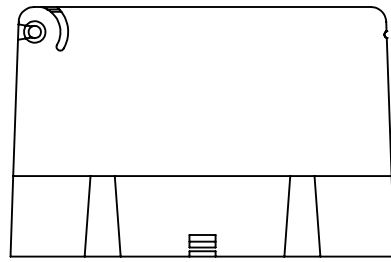
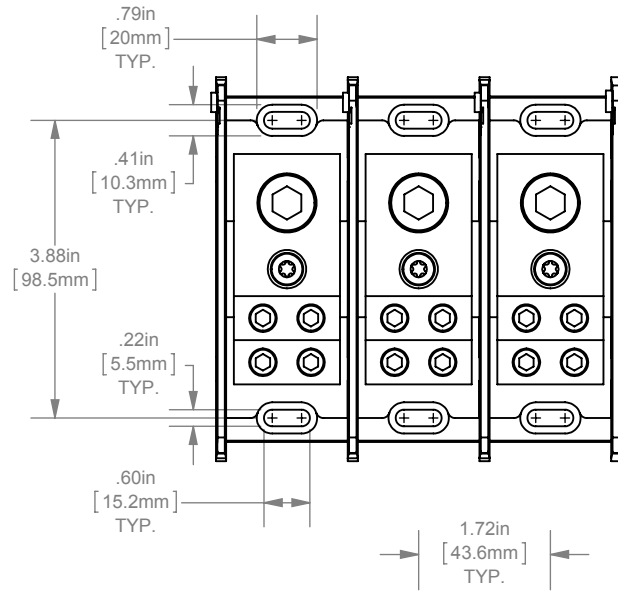


REV.	DATE	ECO	DESCRIPTION	BY	CK	APP
-	8/14/2013	N/A	INITIAL RELEASE	GDR	N/A	N/A



BACK VIEW
ADDER
(MPDB66410)
SHOWN

DIMENSIONS IN [] ARE MILLIMETERS



MERSEN USA NEWBURYPORT-MA, LLC
374 MERRIMAC STREET
NEWBURYPORT, MA 01950

MPDB(66410,66411,66412,66413)
PDB 1-3P,ADDER COPPER INTERMEDIATE
(1) 500-4 X (4) 2/0-4

OUTLINE DIMENSIONS
NOT TO BE USED FOR PRODUCTION

701909

PRODUCT MANAGER
SIGN:
DATE:

DESIGN ENGINEER
SIGN:
DATE: (SEE ECO)