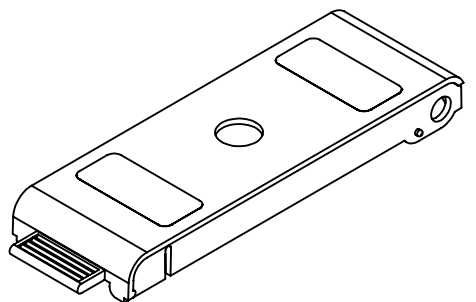
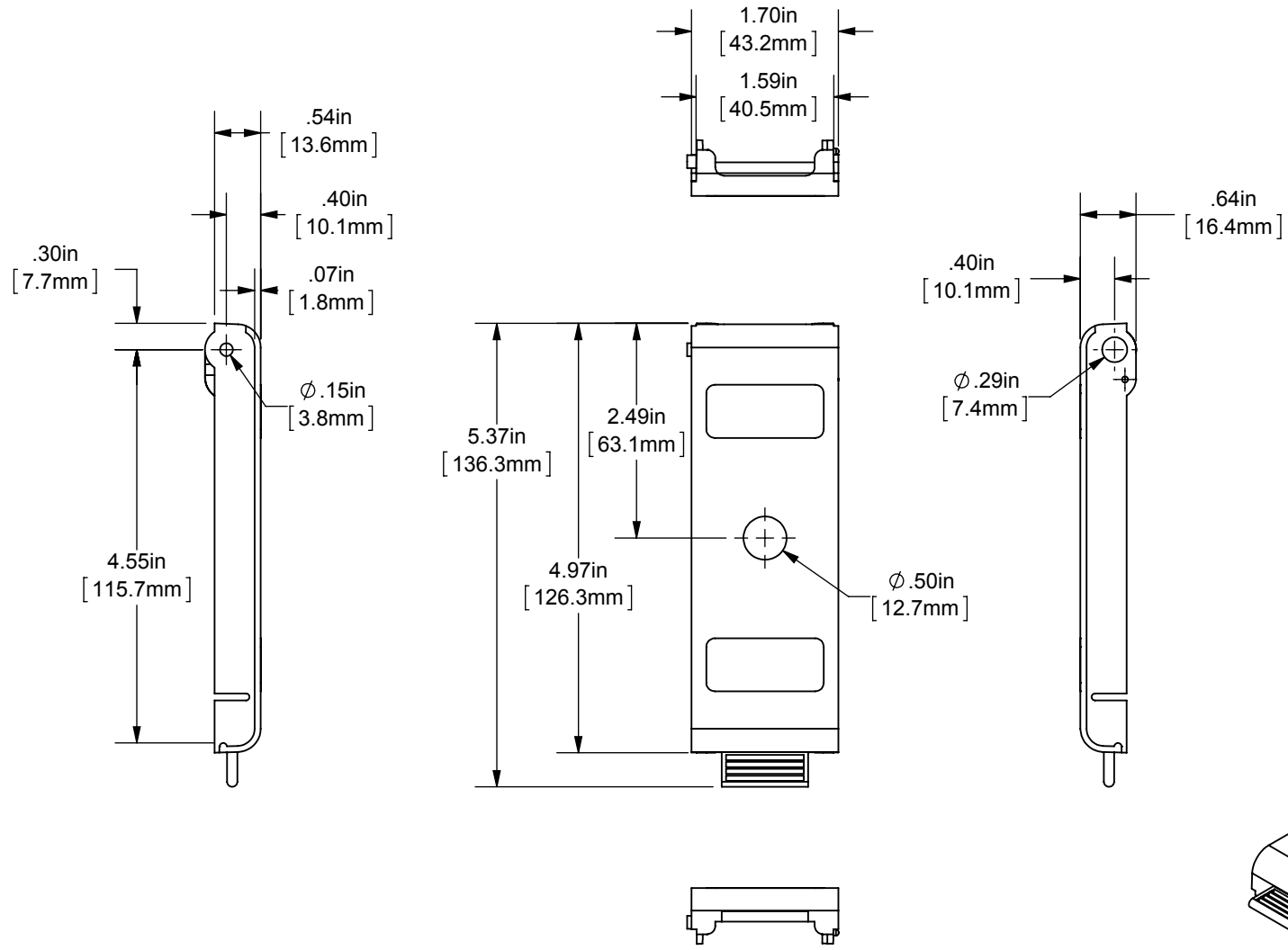


REV.	DATE	ECO	DESCRIPTION	BY	CK	APP
-	8-23-13	N/A	INITIAL RELEASE	LDB	N/A	N/A



SCALE: 1:2

DIMENSIONS IN [ ] ARE MILLIMETERS



MERSEN USA NEWBURYPORT-MA, LLC  
374 MERRIMAC STREET  
NEWBURYPORT, MA 01950

MPDBC6667

SAFETY COVER  
FOR INTER MPDB

OUTLINE DIMENSIONS  
NOT TO BE USED FOR PRODUCTION

701935

PRODUCT MANAGER

SIGN:

DATE:

DESIGN ENGINEER

SIGN:

DATE: