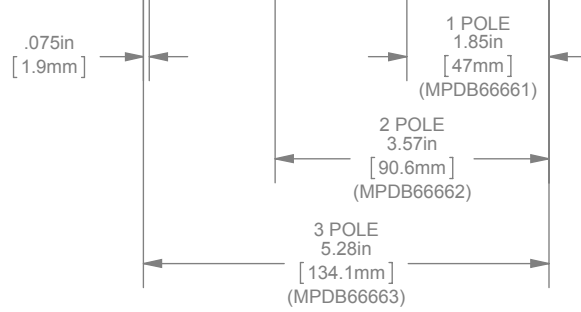
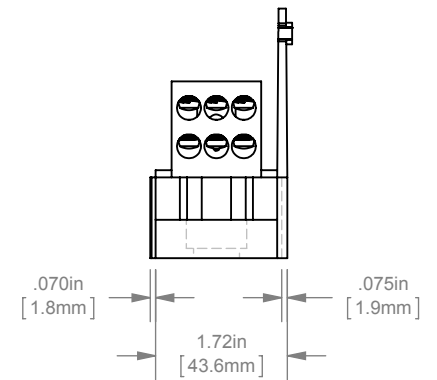
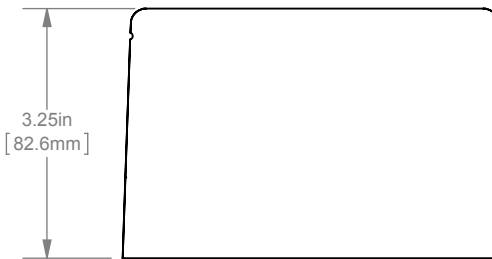
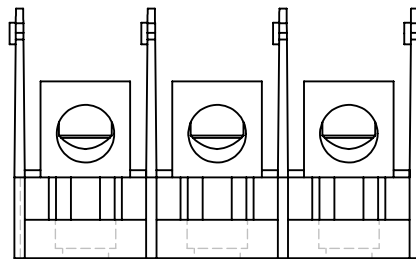
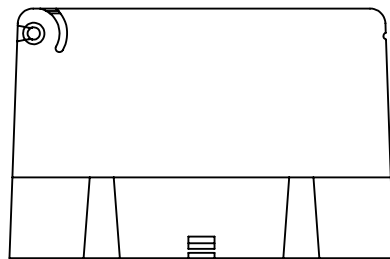
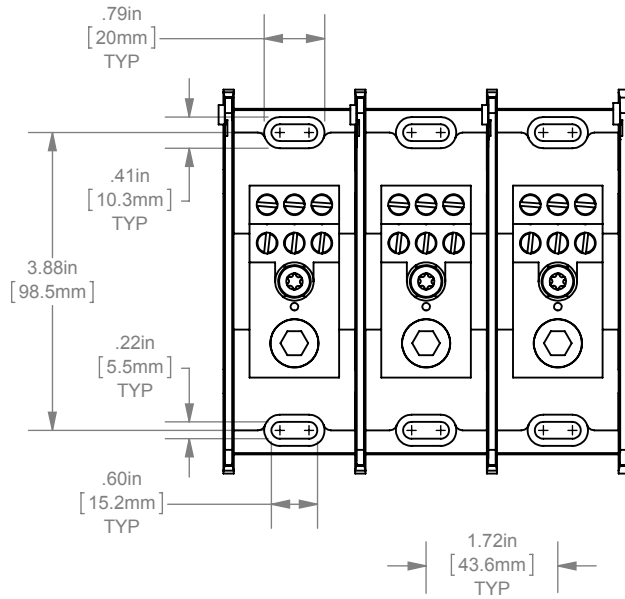


REV.	DATE	ECO	DESCRIPTION	BY	CK	APP
-	8/30/2013	N/A	INITIAL RELEASE	GDR	N/A	N/A



BACK VIEW  
ADDER  
(MPDB66660)  
SHOWN

DIMENSIONS IN [ ] ARE MILLIMETERS



MERSEN USA NEWBURYPORT-MA, LLC  
374 MERRIMAC STREET  
NEWBURYPORT, MA 01950

**MPDB(66660,66661,66662,66663)**

**PDB 1-3,ADDER COPPER INTERMEDIATE**

**(1)350-6 X (6)2-14**

OUTLINE DIMENSIONS  
NOT TO BE USED FOR PRODUCTION

**701991**

**PRODUCT MANAGER**  
SIGN:  
DATE:

**DESIGN ENGINEER**  
SIGN:  
DATE: (SEE ECO)