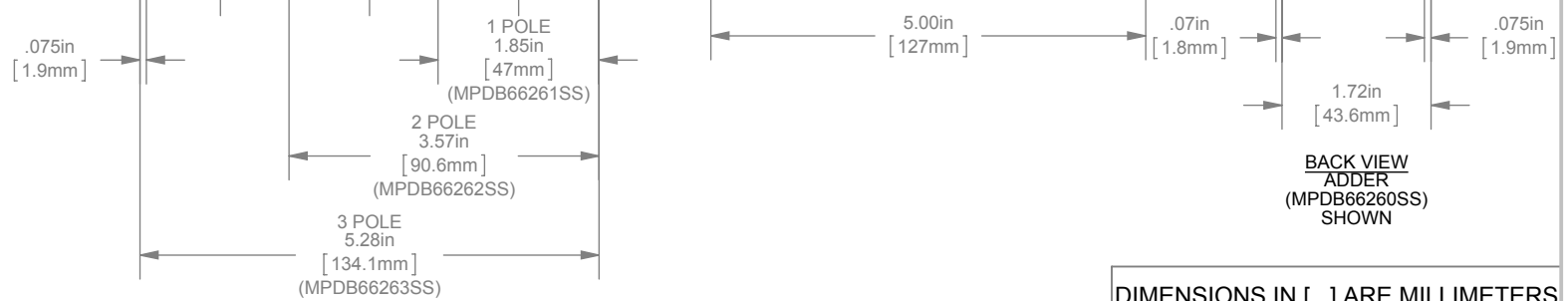
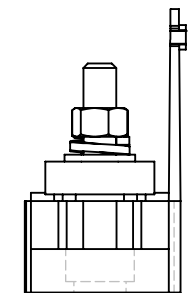
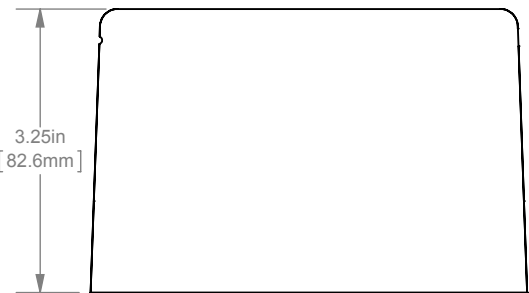
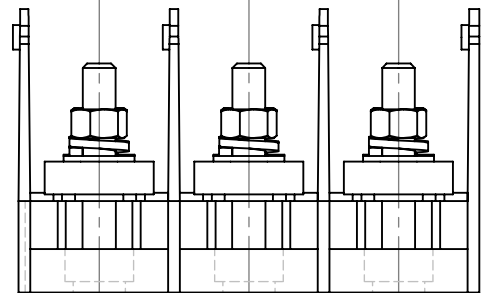
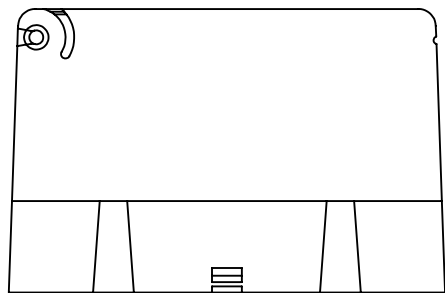
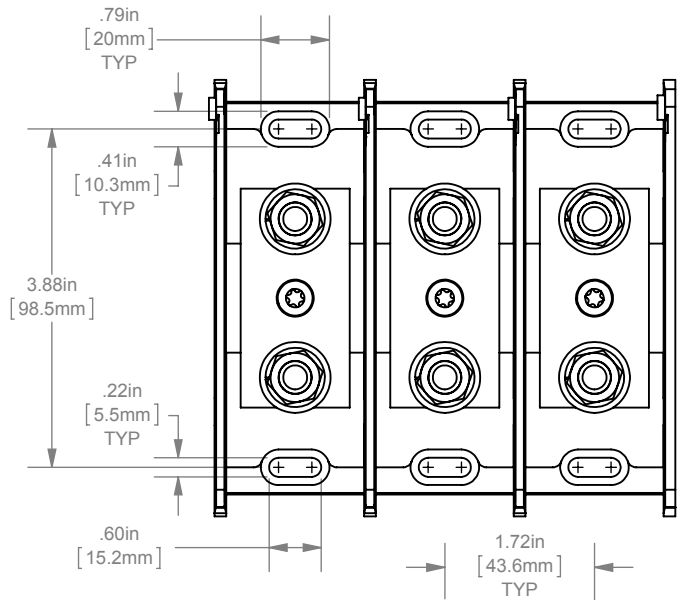


REV.	DATE	ECO	DESCRIPTION	BY	CK	APP
-	9/25/2013	N/A	INITIAL RELEASE	GDR	N/A	N/A



DIMENSIONS IN [ ] ARE MILLIMETERS



MERSEN USA NEWBURYPORT-MA, LLC  
374 MERRIMAC STREET  
NEWBURYPORT, MA 01950

**MPDB(66260,66261, 66262, 66263)SS**

**PDB 1-3P, ADDER COPPER INTERMEDIATE**

**(1)3/8-16 X 1-1/8 STD X (1)3/8-16 X 1-1/8 STD**

OUTLINE DIMENSIONS  
NOT TO BE USED FOR PRODUCTION

**702023**

**PRODUCT MANAGER**  
SIGN:  
DATE:

**DESIGN ENGINEER**  
SIGN:  
DATE: (SEE ECO)