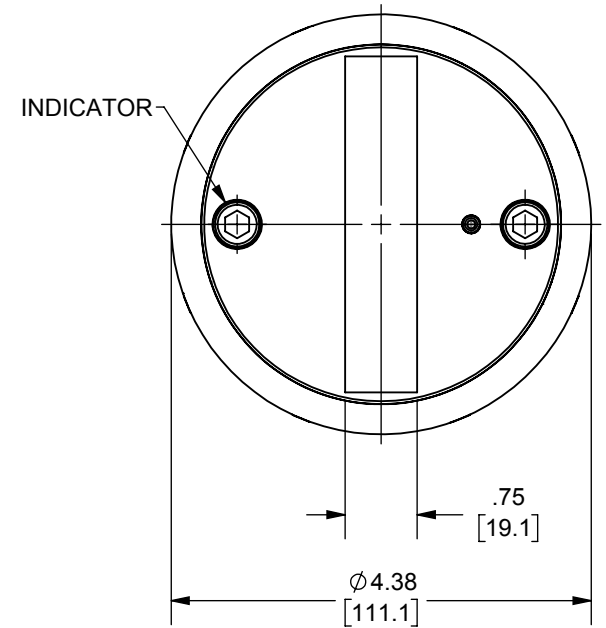
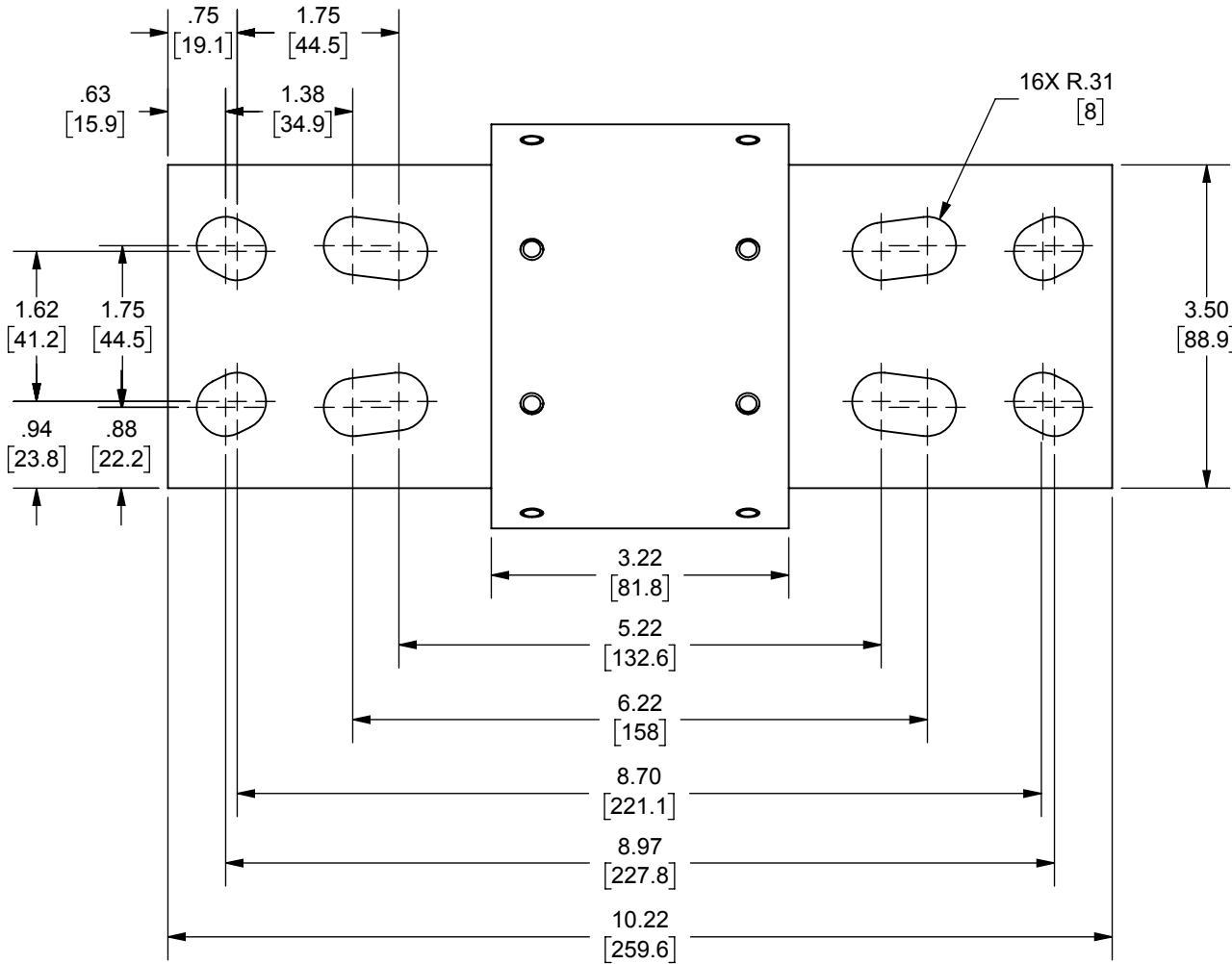


REV.	DATE	ECO	DESCRIPTION	BY	CK	APP
-	10/11/19	N/A	INITIAL RELEASE	GDR	N/A	N/A



DIMENSIONS IN [] ARE MILLIMETERS



MERSEN USA NEWBURYPORT-MA, LLC
374 MERRIMAC STREET
NEWBURYPORT, MA 01950

A50P1600-4TI

FORM 101 TYPE 4TI

1600A 500V

OUTLINE DIMENSIONS
NOT TO BE USED FOR PRODUCTION

702293

PRODUCT MANAGER

SIGN: YICHI AU

DATE: 10/16/19

DESIGN ENGINEER

SIGN: K.HORNE

DATE: 10/16/19