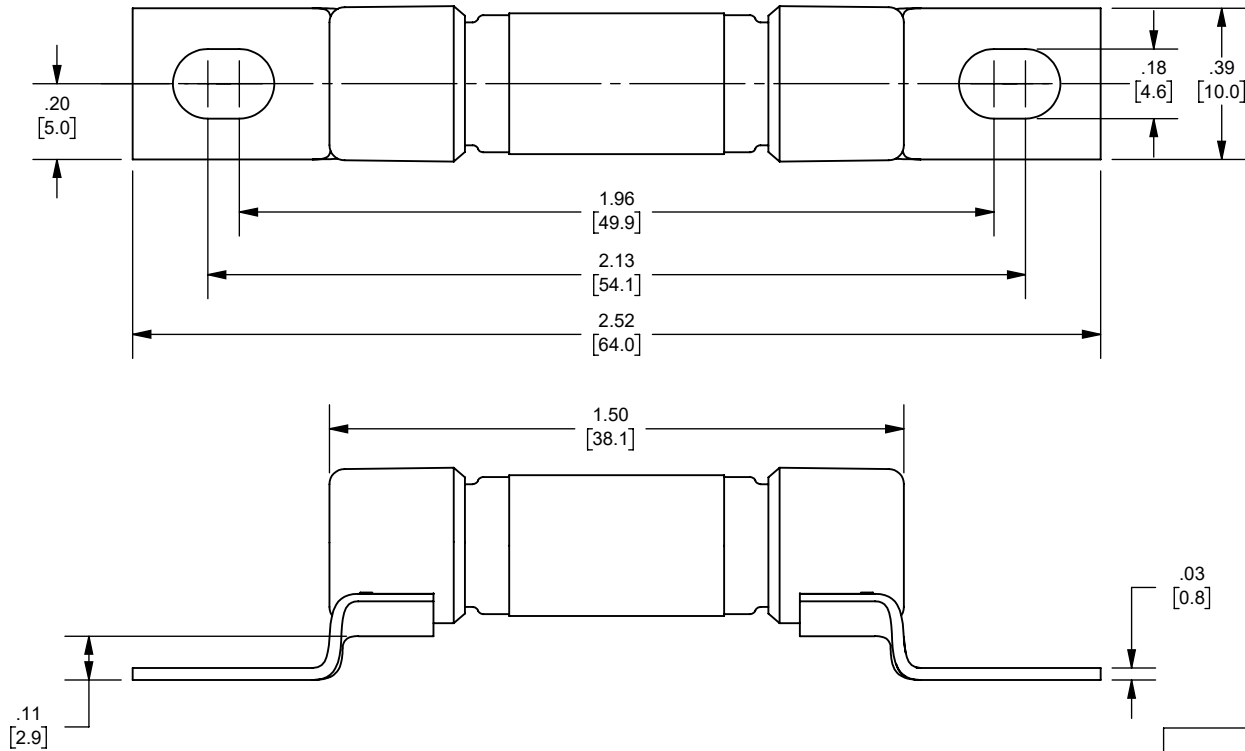


REV.	DATE	ECO	DESCRIPTION	BY	CK	APP
A	2/24/2023	17393	INITIAL RELEASE	ABT	N/A	SEE ECO



OUTLINE DIMENSIONS
NOT TO BE USED FOR PRODUCTION

DIMENSIONS IN []
ARE MILLIMETERS

MDC10A30S
MDC10A25S
MDC10A20S
MDC10A15S
MDC10A12S
MDC10A10S
MDC10A8S
MDC10A5S
MDC10A4S
MDC10A3S
MDC10A2S
MDC10A1S
CATALOG NUMBER

Approval stage / Etat d'approbation: APPROUVÉ POUR FABRICATION / APPROVED FOR MANUFACTURING	Product Class:/ Product Type:	DC DISTRIBUTION FUSE	
	Product amp rating:/ Voltage rating:	1-30A	1000VDC
Initial ECO / ECO intiale:	ECO-17393-000	Title / Titre:	Weight : Masse :
Draw by / Dessiné par: Alma Balcazar	Date : 3/30/2023	Drawing / de dessin: OUT-1205208	Rev : Rév : A
Checked by / Vérifié par: Yadyra Fang	Date : 3/30/2023		
Electrical Power 374 MERRIMAC STREET NEWBURYPORT, MA 01950	Éch / Scale : 2:1 Format / Size : A	Part / Article: SEE TABLE	Page : 1/1

OUTLINE
MDC10A(1-30)S

MERSEN

Ce plan strictement confidentiel est la propriété exclusive de la société MERSEN sans l'autorisation écrite de laquelle il ne peut être ni reproduit, ni copié, ni communiqué à des tiers.
This drawing and specifications there on is property of MERSEN and shall not be reproduced or copied or used in whole or in part as the base for manufacture or sale of item without written permission.